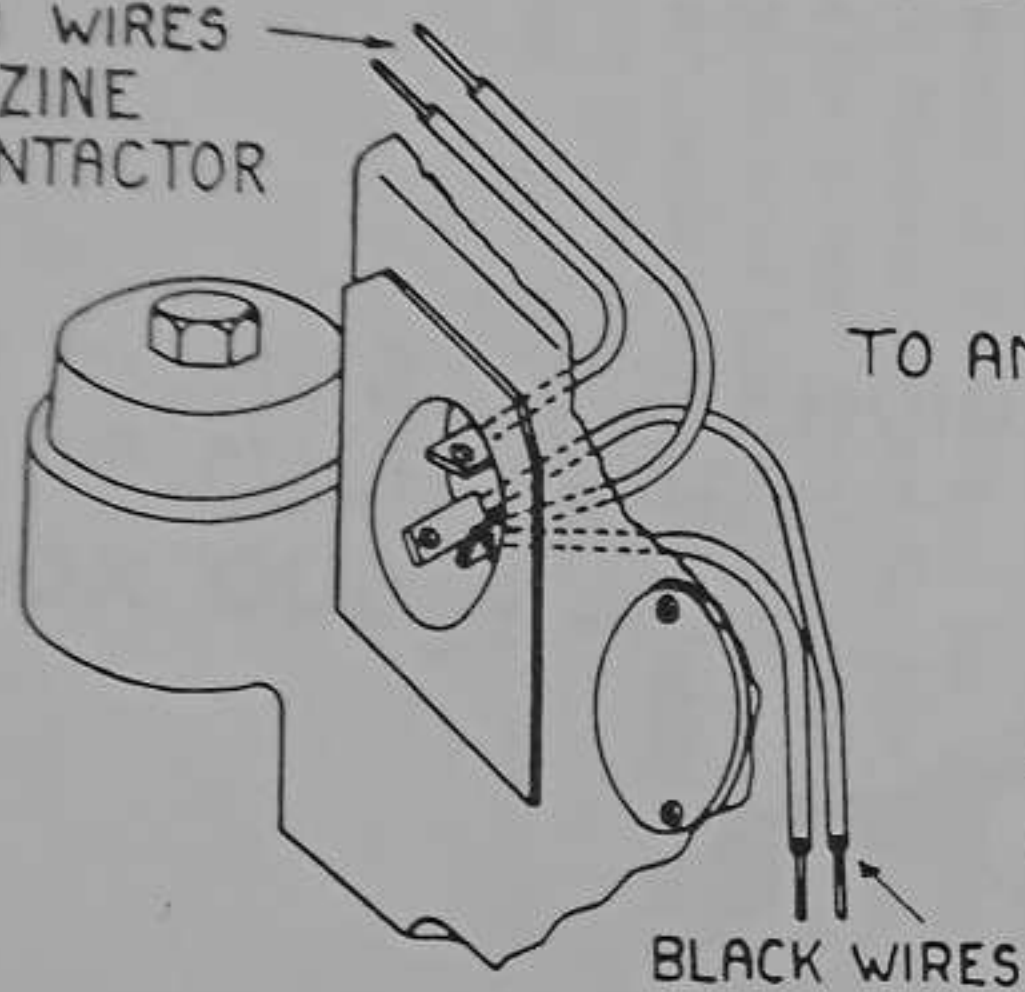
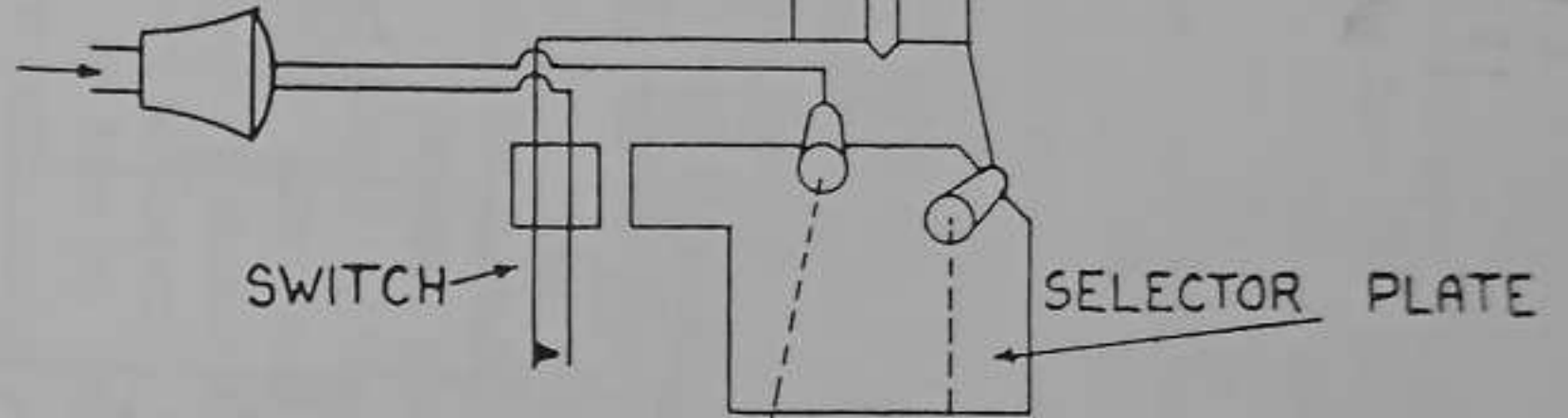


A.C. CHASSIS WIRING DIAGRAM

GREEN WIRES
TO MAGAZINE
SWITCH CONTACTOR

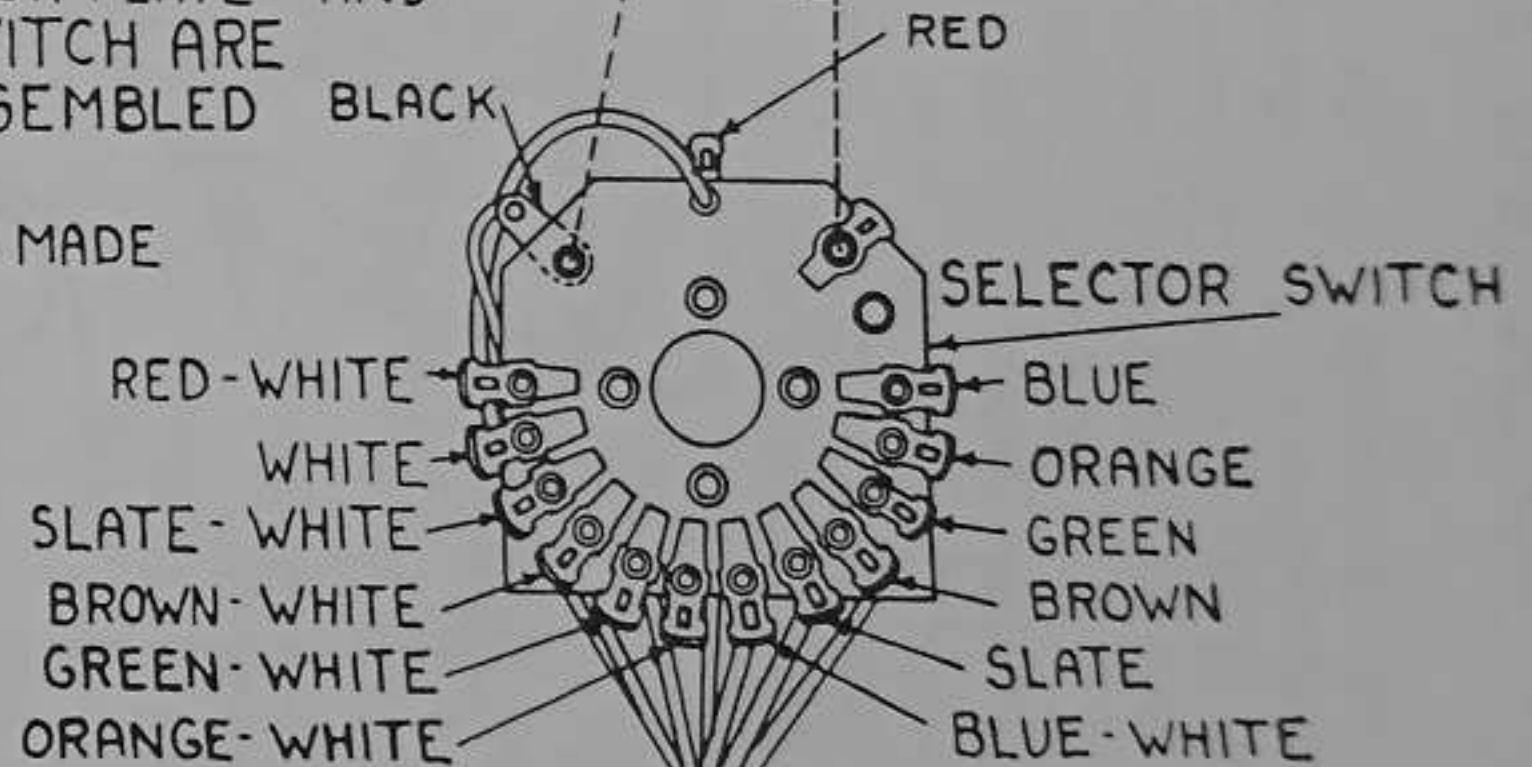
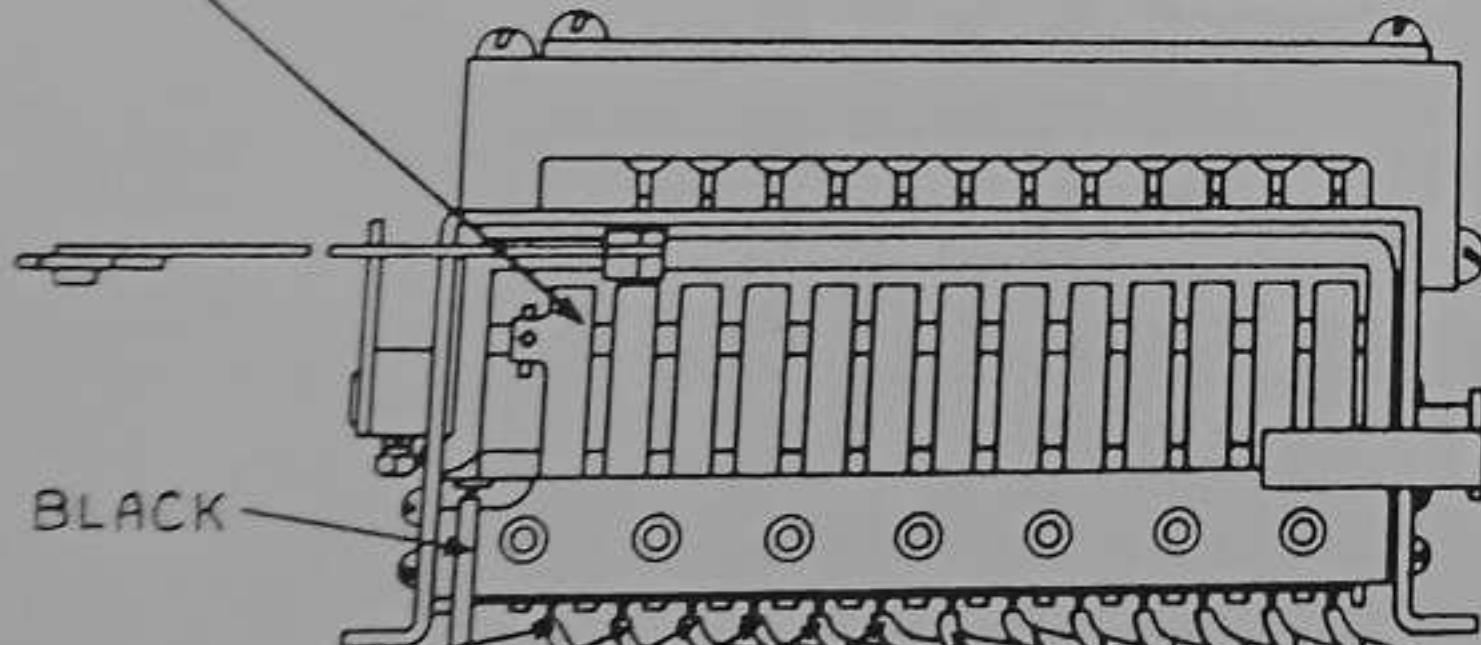


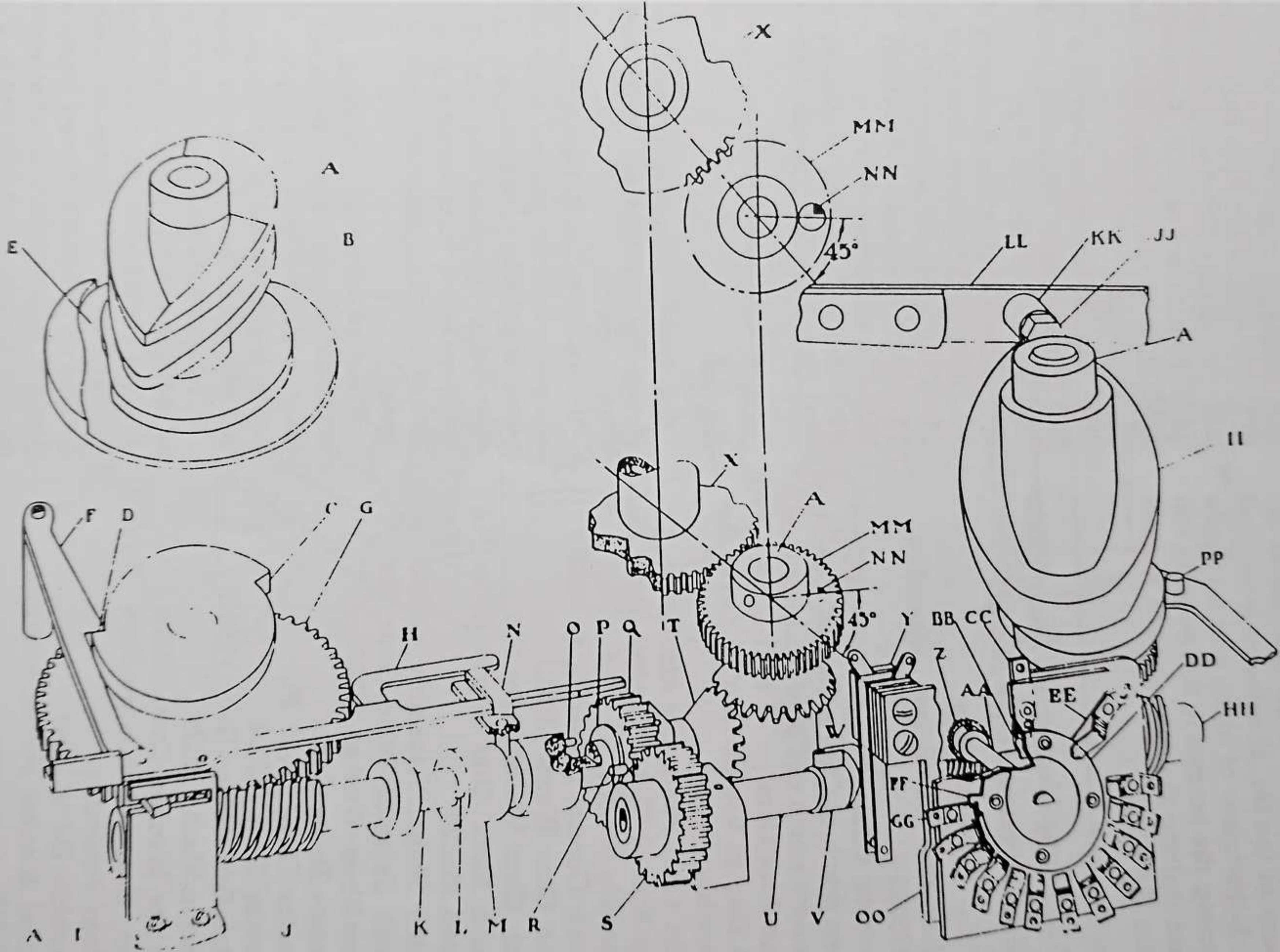
TO AMPLIFIER

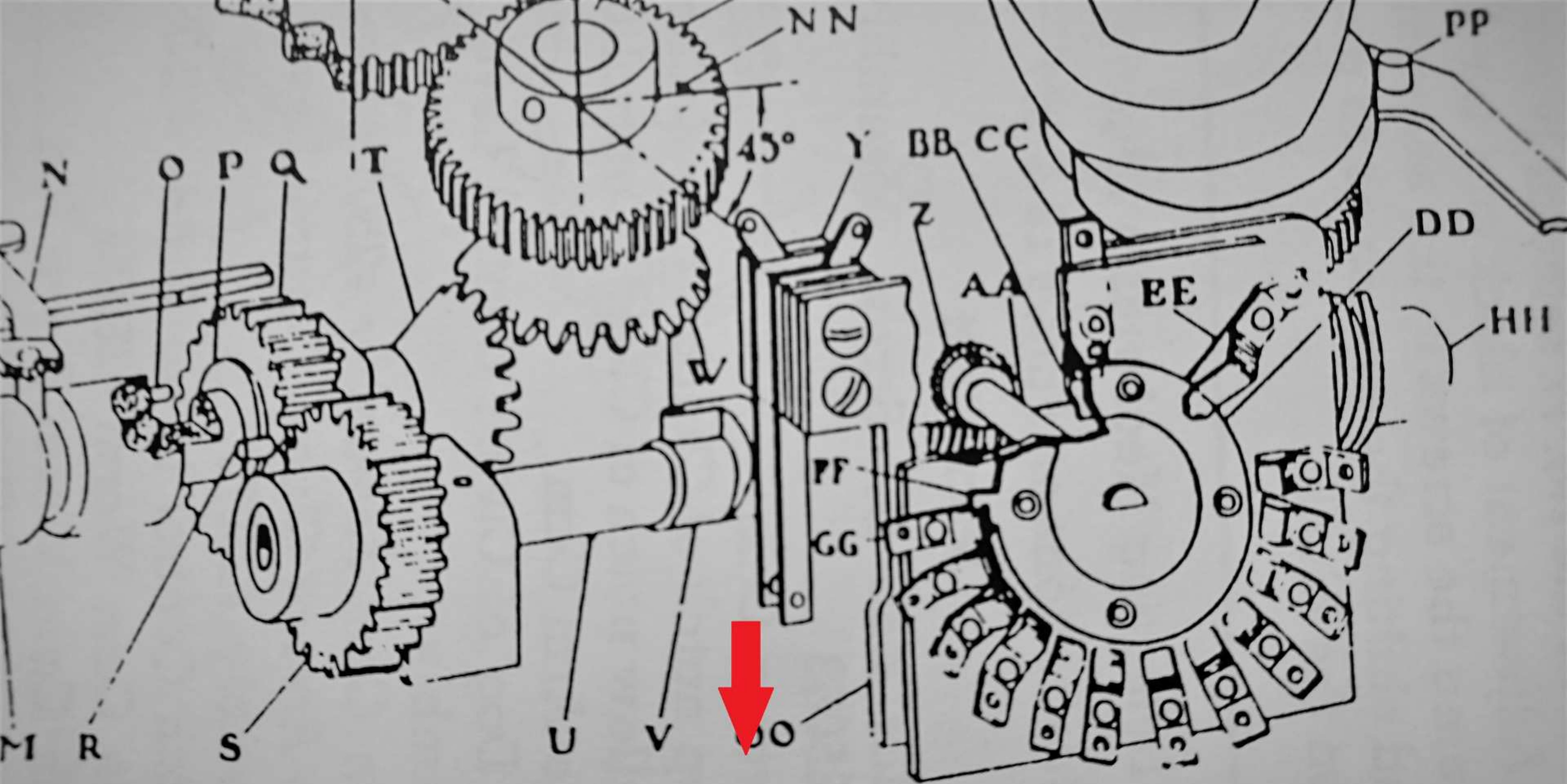


THESE CONNECTIONS ARE MADE
WHEN SELECTOR PLATE AND
SELECTOR SWITCH ARE
ASSEMBLED

TO PHONOGRAPH MOTOR
THIS CONTACT IS CLOSED WHEN NO SELECTIONS ARE MADE
BUT REMAINS OPEN DURING SELECTION







Contacts de switch à vérifier